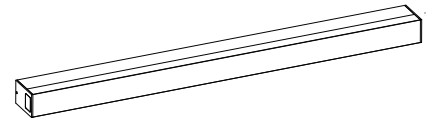




Assembly and Installation Instructions for Model's

20017-8-9WV



CAUTION - RISK OF FIRE

Installation of this fixture should be done by a licensed electrician or by a person familiar with local electrical codes and the construction and operation of this fixture.

Warning please make sure the electrical breaker is shut off before commencing with this installation

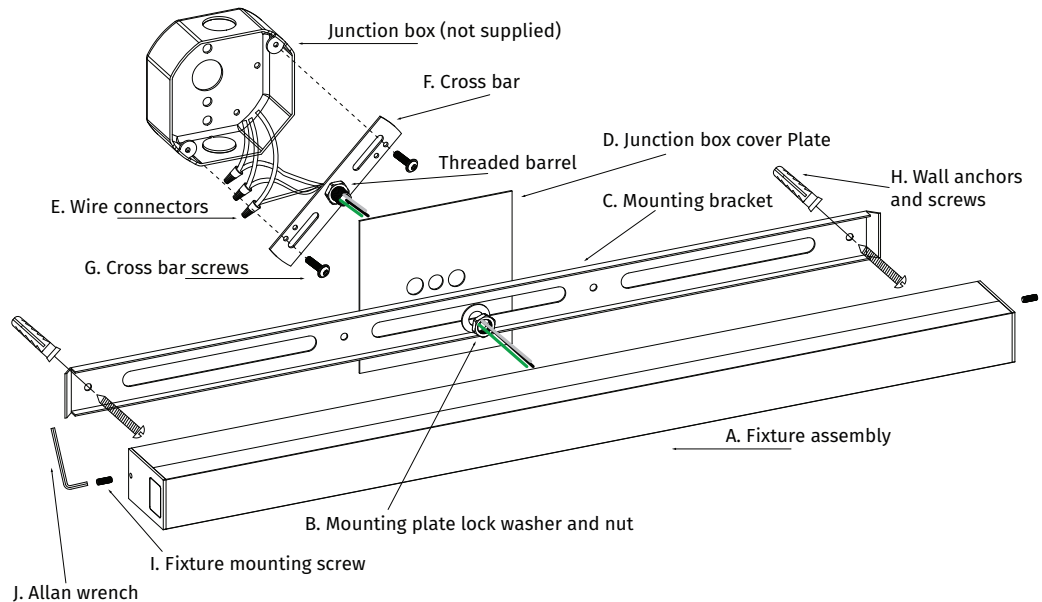
Read and familiarize yourself with these instructions before commencing

This fixture is certified for wall mounting and is suitable for Damp locations and dimmable with a Triac Dimmer

The fixture uses a 120v A/C LED panel, no driver required

Package Contents

Part	Description	Qty
A	Fixture assembly	1
B	Nut and Washer	1
C	Mounting bracket	1
D	Junction box cover plate	1
E	Cross bar	1
F	Cross bar screws	2
H	Wall anchors and screws	2
I	Fixture mounting screws	2
J	Allan wrench	1



Installing the fixture *please ensure the electrical breaker is switched off before commencing*

- This fixture has a full floating junction box cover and as such can be mounted at most positions along the length of the fixture and are ideal for junction boxes that are not centered. Determine the position of where the center of the fixture needs to be, that will be the position where the Mounting bracket will be attached.
- Feed the electrical wires from the Fixture assembly (A) through the Nut then washer (B), and then through the Mounting bracket (C) and onwards through the Junction box cover plate (D) then through the Threaded barrel attached to the Cross bar (F).
- Connect the supply wires to the fixture wires using the supplied electrical wire connectors (E). White supply wire to the White fixture wire, Black supply wire to Black fixture wire and the ground Bare Copper or Green wire to the Green fixture wire. Once the electrical wire connectors are securely fastened it is recommended to tape these connectors with electrical tape.
- Attach the Cross bar (A) to the Junction box, making sure the Threaded barrel is facing forward and secure with supplied Cross bar screws (F).
Insert the threaded barrel from the Cross bar (F) through the center hole of the Junction box cover plate (D) insert the Threaded barrel through the slot on the Mounting bracket (C) insert the Washer and Nut (B) and loosely secure. Level the Mounting bracket with a spirit level, mark holes at each end of the Mounting bracket, rotate the loosely attached assembly and drill holes on those marks for inserting the supplied Wall anchors (H) Rotate the fixture assembly to the correct position, insert the Wall anchor screws into the anchors and secure the Mounting bracket by tightening the center Nut and Anchor screws.
- Attach the Fixture assembly (A) to the Mounting bracket with the two Fixture mounting screws (I) using the supplied Allan wrench (J).
- Switch on the electrical breaker switch and your new fixture is ready for many years of trouble free use